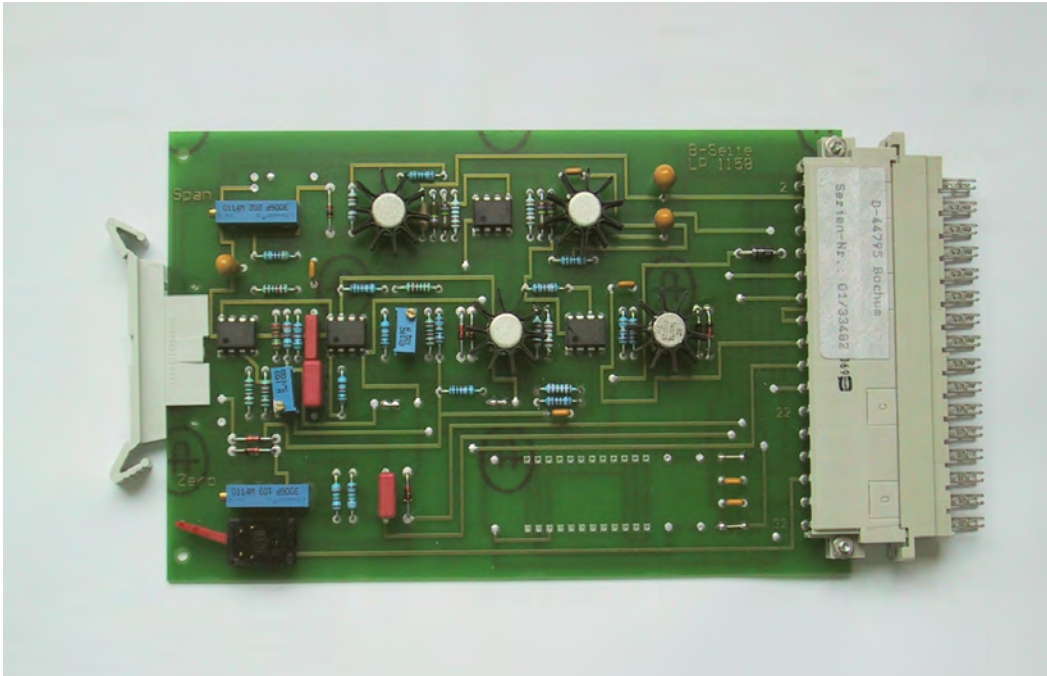


Feeding Card

NK 10-15/Z2 (replaces Z1), Z3 + Z4,
NK 10-24/Z2, Z3 +Z4, AN-15/P2, P3 +P4



Purpose and Applikation

Feeding and adjusting ZERO and GAIN of transducers with internal or external instrumental amplifier model "W", and short-circuit proof final amplifying.

For pressure transducers type DGW-10(K), DGW-11(K), DGW-12(K), DGW-15(K), primary voltage ± 15 V or +24 V being available.

Construction

Eurocard with grip, multi-point connector with gold-plated contacts, femal plug.

AN-15/P2, P3 + P4: Front plate with 10-turn-pots ZERO and GAIN, test plugs for output.

Operating

A voltage stabilized by Z-diode and adjusted by trimpot generates symmetrical bridge exciting voltage 9 V...11 V and the adjusting voltage remote balancing the transducer amplifier.

Pressing CAL-key activates a CAL-unit within new transducer-models simulating nominal pressure. This allows transducer calibrating from control room for output signals 10 V or 20 mA (or for any desired value).

Electrical Data

Prim. volt. NK10-15, AN-15 -15/0/+15
" NK10-24, AN-24 +24 V
Primary current.....70 mA at 350 Ω
Nom.output signal.....0...10 V ± 20 mA
" Option Z3 and P3.....0...20 mA
" Option Z4 and P4.....4...20 mA

Ranges:

Amplifier feeding.....-15(-12)/0/+15 V
Bridge exciting.....9 V...11 V DC symmetric
Balancing.....-1 V...+1 V

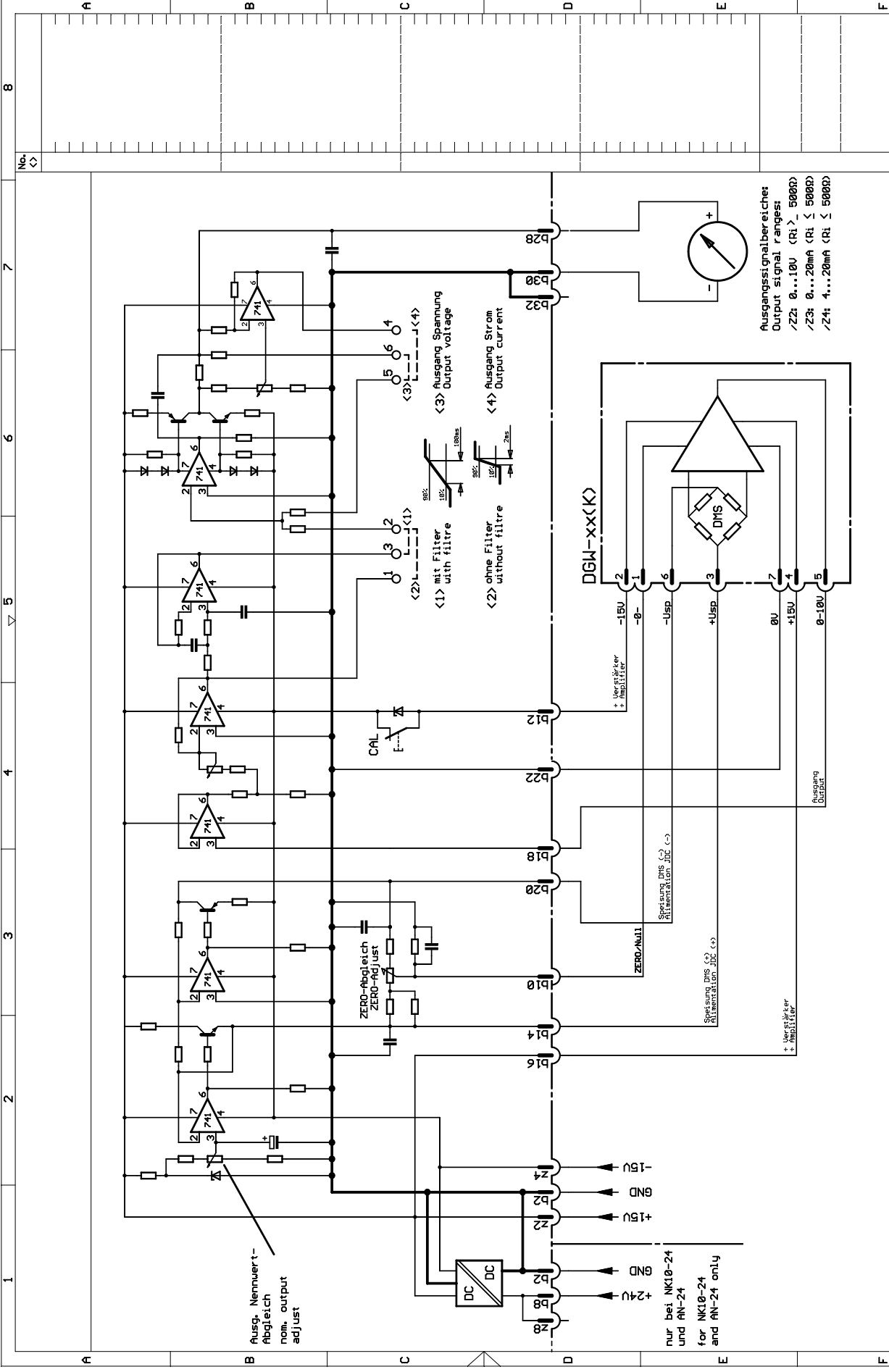
Further Data:

Temperature:.....0°C...+50°C
Wiring diagram.....S 3652000
Multipoint connector.....DIN 41612,F,32p.
Transducer cable.....LiYCY 7 x 0.35
Tolerable length.....200 m

Mechanical Data

Dimensions (mm)	Wide	Height	Depth
Print card	20	100	160
" with grip + conn	20	100	185
AN-15/P2, P3 and P4	35	128.5	185
Weight print card	nearly 100 g		
" AN-15/P2, P3 and P4	nearly 250 g		

These feeding sets are compatible to older ones: they can feed older transducers not furnished with CAL-units, of course without remote calibrating.



Date 97.07.17		Dr. Brandt GmbH		ENDORSTÄRKER/SPEISERÄT		NK10-15/22 (Z3, Z4) AN-15/22 (Z3, Z4) =	
Bearb. Lübbert		D-4796 Bochum		POSTAMPLIFIER/FEEDING CARD		NK10-24/22 (Z3, Z4) AN-24/22 (Z3, Z4) =	
04.10.19 Hess, URFL		Ers./Repl. for S 32393 00		Ers. d./Repl. by		Z-Nr.1 Diagramm: S 36 520 00	
-1 Diverse Texte		Ur spr./Origi		3		8	
Nr./Änderung/Revision		Date/Date Name		Norm		Sh./Bl.	